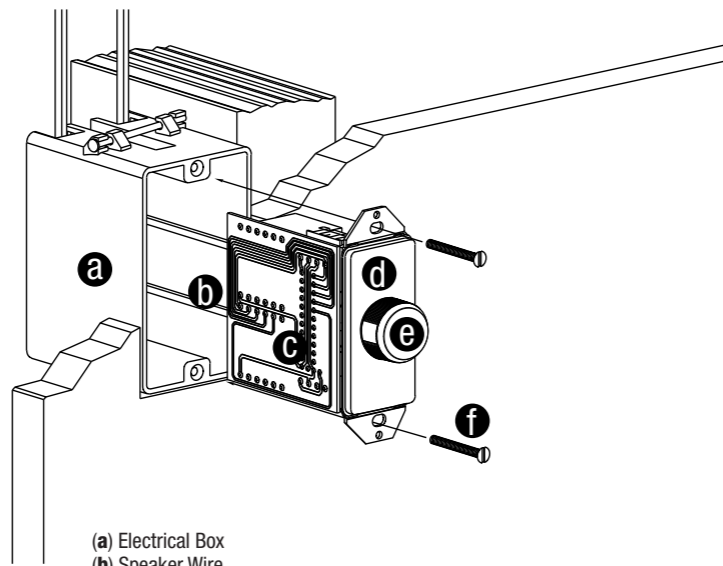


CONTENTS



- (a) Electrical Box
- (b) Speaker Wire
- (c) VCS50 Volume Control
- (d) Decora-Style Insert
- (e) Knob
- (f) Device Screws (2 supplied)



BLENDING HIGH FIDELITY AND ARCHITECTURE®

Niles Audio Corporation
12331 S.W. 130 Street Miami, Florida 33186
1-305-238-4373

1-800-BUY-HIFI - www.nilesaudio.com

©2006 Niles Audio Corporation. All rights reserved. Niles, the Niles logos and Blending High Fidelity and Architecture are registered trademarks of Niles Audio Corporation. All other trademarks are the property of their respective owners. D500505A

SPECIFICATIONS

Power Handling

50 W (RMS)/100 W (peak music power) per channel

Frequency Response

20Hz to 20kHz \pm 2dB

Minimum Speaker Load

4 ohm

Mounting Requirements

In-wall, fits most 18-cubic-inch single-gang junction boxes at least 2-3/4" D

Wiring Requirements

14 to 16 gauge, stranded-copper loudspeaker wire with two individual runs of two-conductor wire, or one run of four-conductor wire

Unit Dimensions:

1-5/8" W x 2-5/8" H x 2-9/16" D
(behind faceplate)

LIMITED WARRANTY

NILES AUDIO CORPORATION ("NILES") WARRANTS ITS PASSIVE PRODUCTS (THOSE NOT REQUIRING AC OR BATTERY POWER) TO THE ORIGINAL PURCHASER TO BE FREE OF MANUFACTURING DEFECTS IN MATERIAL AND WORKMANSHIP FOR A PERIOD OF TEN YEARS FROM DATE OF PURCHASE.

THIS WARRANTY IS SUBJECT TO THE FOLLOWING ADDITIONAL CONDITIONS AND LIMITATIONS. THE WARRANTY IS VOID AND INAPPLICABLE IF NILES DEEMS THAT THE PRODUCT HAS BEEN USED OR HANDLED OTHER THAN IN ACCORDANCE WITH THE INSTRUCTIONS PROVIDED BY THE MANUFACTURER, INCLUDING BUT NOT LIMITED TO DAMAGE CAUSED BY ACCIDENT, MISHANDLING, IMPROPER INSTALLATION, ABUSE, NEGLIGENCE, OR NORMAL WEAR AND TEAR, OR ANY DEFECT CAUSED BY REPAIR TO THE PRODUCT BY ANYONE OTHER THAN NILES OR AN AUTHORIZED NILES DEALER.

TO OBTAIN WARRANTY SERVICE, TAKE THE UNIT TO THE NEAREST AUTHORIZED NILES DEALER, WHO WILL TEST THE PRODUCT AND IF NECESSARY, FORWARD IT TO NILES FOR SERVICE. IF THERE ARE NO AUTHORIZED NILES DEALERS IN YOUR AREA, YOU MUST WRITE TO NILES AND INCLUDE YOUR NAME, MODEL AND SERIAL NUMBER OF YOUR UNIT, ALONG WITH A BRIEF DESCRIPTION OF THE PROBLEM. A FACTORY RETURN AUTHORIZATION NUMBER WILL BE SENT TO YOU. DO NOT RETURN ANY UNIT WITHOUT FIRST RECEIVING WRITTEN AUTHORIZATION AND SHIPPING INSTRUCTIONS FROM NILES.

IF THE ABOVE CONDITIONS ARE MET, THE PURCHASER'S SOLE REMEDY SHALL BE TO RETURN THE PRODUCT TO NILES, IN WHICH CASE NILES WILL REPAIR OR REPLACE, AT ITS SOLE OPTION, THE DEFECTIVE PRODUCT WITHOUT CHARGE FOR PARTS OR LABOR. NILES WILL RETURN A UNIT REPAIRED OR REPLACED UNDER WARRANTY BY SHIPPING SAME BY ITS USUAL SHIPPING METHOD FROM THE FACTORY (ONLY) AT ITS EXPENSE WITHIN THE UNITED STATES OF AMERICA. THERE ARE NO OTHER WARRANTIES, INCLUDING WITHOUT LIMITATION, EITHER EXPRESS OR IMPLIED WARRANTIES OF MERCHANTABILITY OR FITNESS FOR A PARTICULAR PURPOSE, WITH RESPECT TO THE PRODUCT.

REPAIR OR REPLACEMENT AS PROVIDED UNDER THIS WARRANTY IS THE EXCLUSIVE REMEDY OF THE CONSUMER/PURCHASER. NILES SHALL NOT BE RESPONSIBLE FOR ANY INCIDENTAL OR CONSEQUENTIAL DAMAGES EXCEPT TO THE EXTENT PROVIDED (OR PROHIBITED) BY APPLICABLE LAW.

SOME STATES DO NOT ALLOW THE EXCLUSION OR LIMITATION OF INCIDENTAL OR CONSEQUENTIAL DAMAGES, SO THE ABOVE LIMITATION MAY NOT APPLY TO YOU. THIS WARRANTY GIVES YOU SPECIFIC LEGAL RIGHTS, AND YOU MAY ALSO HAVE OTHER RIGHTS WHICH VARY FROM STATE TO STATE.

FOR THE NAME OF YOUR NEAREST AUTHORIZED NILES DEALER CONTACT: NILES AUDIO CORPORATION, P.O. BOX 160818, MIAMI, FLORIDA 33116-0818.

Please fill in your product information and retain for your records.

Model _____ Purchase Date _____
Serial No. _____



INSTALLATION & OPERATION GUIDE



STEREO VOLUME CONTROL

VCS50

INSTALLATION CONSIDERATIONS

CHANGING THE COLOR OF THE KNOB AND THE DECORA INSERT

The Decora-style insert and knob on the VCS50 are removable, allowing fast and easy color changes as needed. Inserts and knobs are available in a variety of colors. To change the color of your unit:

1. Obtain the appropriate knob and Decora-style insert in the desired color from your Niles dealer.
2. Pull the knob off the shaft. See **Figure 1**.
3. Locate the two plastic mounting tabs at the top rear of the Decora-style insert. Using two fingers, simultaneously press both tabs down (towards the center of the insert) and forward (away from you) until the insert pops free from its mounting slots.
4. Locate the new Decora-style insert. Hold the volume control facing you. Insert the two bottom tabs into the bottom slots first, then the two tabs on the top (see **Figure 1**). Press carefully on the front of the insert to snap it into place.
5. Locate the new knob. Align its flat side to the flat side of the shaft, and push the knob onto the shaft. Check the alignment of the knob by turning it through all positions.

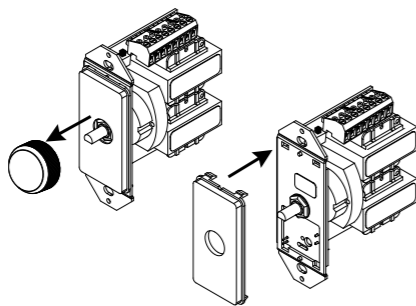


Figure 1. Changing the VCS50's knob and Decora-style insert.

INSTALLATION

If you are installing the VCS50 into an existing wall, take time to consider any possible obstructions which may be hidden inside the wall, such as wood and metal studs; electrical, telephone or other types of wiring; plumbing; conduit; old wall safes; etc.

1. Install the junction box in the usual manner.
2. Run all the necessary wiring to the VCS50. Label the wires for future reference.
3. Make the connections to the VCS50. Locate the connectors for the VCS50. Strip 1/4" of insulation from the end of each wire. Tightly twist the end of each wire until there are no frayed ends. Insert each wire into the appropriate hole on the connector blocks;

secure the wiring to the connectors by tightening the small connector screws. Be certain that proper phasing is observed—connect the positive terminals on the VCS50 to the positive terminals on the amplifier and speakers; the negative terminals on the VCS50 to the negative terminals on the amplifier and speakers. See **Figures 2 and 3**.

NOTE: THE INPUTS OF THE VCS50 ARE THE CONNECTOR PINS LABELED "IN". THE OUTPUTS ARE THE CONNECTOR PINS LABELED "OUT". BE SURE NOT TO REVERSE THESE CONNECTIONS OR THE VCS50 WILL NOT FUNCTION PROPERLY.

4. Secure the VCS50 to the junction box. Insert the 1-1/4" long device screws into the oblong-shaped screw holes on the top and bottom of the VCS50. Note that the oblong shape of the screw holes allow you to position the VCS50 so that it is vertical. Position the VCS50 so that the screws are aligned with the threaded holes in the junction box. Tighten the screws using a phillips screwdriver. DO NOT OVERTIGHTEN. In some instances, you may need to loosen these screws several turns to allow the VCS50 to fit flush with the Decora cover plate. See **Figure 4**.
5. Use the shorter plate screws to fasten the

Decora faceplate to the VCS50. DO NOT OVERTIGHTEN THE PLATE SCREWS OR YOU MAY DAMAGE THE FACEPLATE. Line up all the screws in the same direction for a finished look.

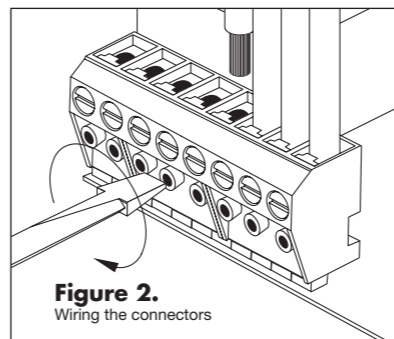


Figure 2. Wiring the connectors

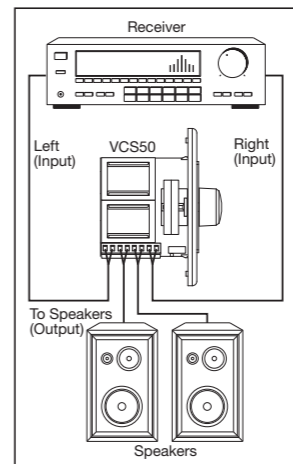


Figure 3. Wiring diagram shows a Niles system with a VCS50 volume control

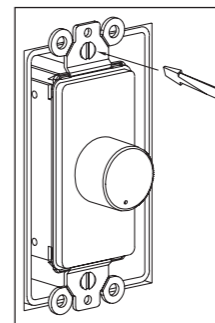


Figure 4. Loosening the screws for a flush fit.

OPERATION

1. Make sure the amplifier or receiver power is OFF and set the volume to minimum.
2. Set the VCS50 volume to maximum (fully clockwise).
3. If you are using a Niles speaker selection system, locate the on/off button which corresponds to the speaker pair you wish to play. Set it to the on position.
4. Turn on the amplifier or receiver and select a source, such as the tuner or CD player.
5. Slowly turn up the amplifier or receiver volume and set it to a comfortable (not maximum) listening level. Be careful not to overdrive or "clip" your amplifier. If the sound becomes muddy or distorted, you have reached the limit of your amplifier's volume capability and should quickly reduce the volume to avoid damaging your speakers.
6. Adjust the volume of the speakers to the desired listening level using the VCS50. If all the speaker pairs in your system are equipped with Niles volume controls, you can leave the amplifier or receiver volume set at one position and use the Niles controls exclusively.
7. You can turn off the speakers by turning the knob on the VCS50 fully counter-clockwise, or by pressing the on/off button on your speaker selector.